

Omni-ID® IQ 600

Omni-ID IQ 600 Ultrathin labels provide on metal tag functionality, within a low profile, easy to deploy label. Supplied in roll form as either finished labels or as an inlay for conversion, the Omni-ID IQ 600 has been optimized for thermal barcode printers, enabling low cost and hassle-free RFID deployment. IQ 600's consistency and reliability redefine the standard for metal and liquid RFID tagging, enabling new applications and revolutionizing integration into manufacturing and supply chain processes.

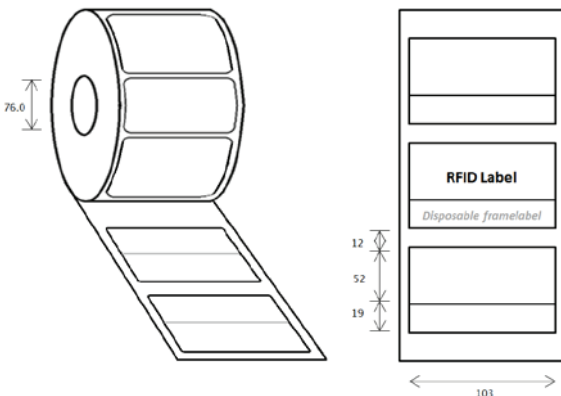
Building Intelligent Supply Chains

With innovative construction and thermal barcode printer compatibility, the Omni-ID IQ 600 label is ideal for hassle free deployment of RFID applications involving metals and liquids such as:

- ▶ Logistics involving metal produce or packaging.
- ▶ Pipe manufacturing and re-certification.
- ▶ IT, Office & hospital assets tracking applications.

Physical Specifications

Encasement	Synthetic Label
Size (mm) (tolerance)	103.0 x 52.0 x 0.8 (+/- 0.5)
Size (in) (tolerance)	4.1 x 2.0 x 0.03 (+/-0.02)
Weight (g)	5.02



Dimensions stated in mm
Supply format = 200 labels per roll

RF Specifications

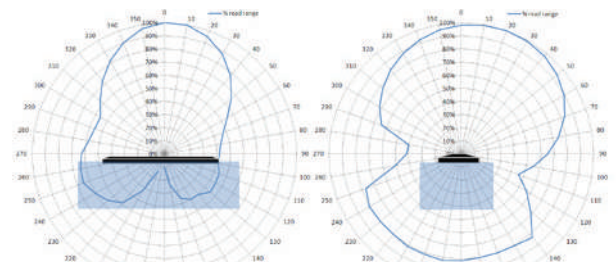
Protocol	EPC Class 1 Gen2
Frequency Range (MHz)	866-868 (EU) 902-928 (US)
Read Range (Fixed reader) ¹	Up to 6.0m (19.7 ft)
Read Range (Handheld reader) ¹	Up to 3.0m (9.8 ft)
Material Compatibility	Optimized for metal and liquid
IC Type (chip)	Impinj Monza 4QT
Memory ²	User - 512bits

1. Quoted performance achieved using standard testing methodology. Read range will vary with reader hardware and output power.

2. EPC and User memory are reprogrammable, TID is locked at point of manufacture.

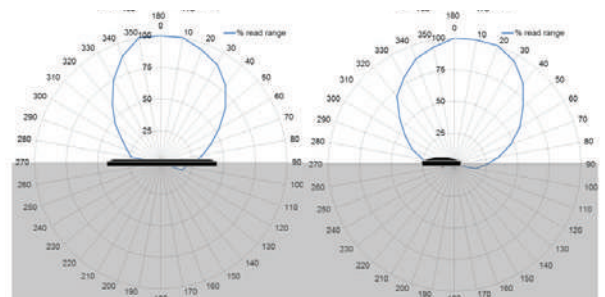
Radiation Patterns

On Liquid



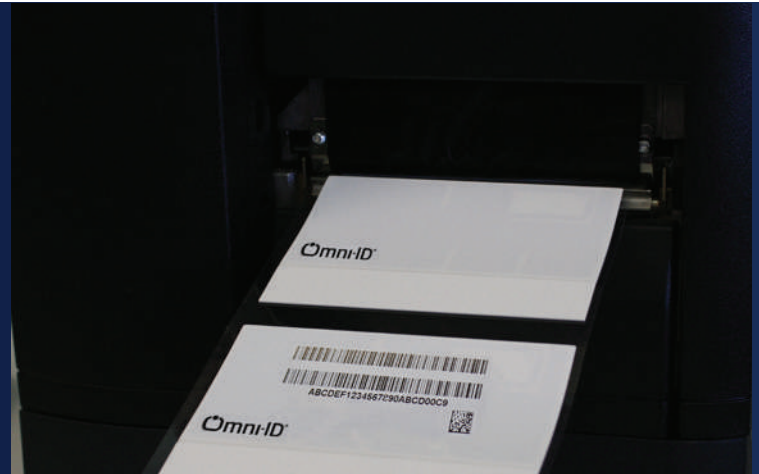
Large Metal

Sheet



Related Products and Services

- ▶ **Omni-ID Prox NG** – Market leading, small form factor tag for mixed plastic and metal IT asset environments in global enterprises.
- ▶ **Omni-ID IQ 400** – Small Ultrathin premium label for on metal functionality, supplied in roll form.
- ▶ **Omni-ID IQ 800P** – Large premium label for plastic assets.
- ▶ **Service Bureau** – Omni-ID offers a full service bureau for printing and pre-encoding Omni-ID tags at point of manufacture.



Environmental Specifications

Operating Temperature	-20 to +65°C
Long term Max Temperature ¹ exposure - (days,weeks,years)	+65°C
Short term Max Temperature ¹ exposure - (minutes,hours)	+85°C
IP Rating	IP68
Attachment	Self-adhesive suitable for flat surfaces.
Certifications	RoHS approved CE approved ATEX/IECEX certified (option) US & Canada (C1D1/D2) certified (option)
Printer Certifications	Toshiba and Zebra
Warranty	1 year

1. Excludes adhesive options, consult adhesive data sheets for recommended temperature ratings.

Ordering Information

Order Numbers	064 – EU, US :304 (ATEX/IECEX certified) :307 (US & Canada (C1D1/D2) certified) :701 (Standard Service Bureau) :702 (Custom Service Bureau)
	069 - EU, US (Dry inlay for conversion)
	090 - Omni-ID Dummy IQ 600 (Blank IQ 600 for Printer Calibration)
Supply Format	200 labels per roll

TOSHIBA



Omni-ID office locations: US | UK | China | India | Southeast Asia
For product or technology inquiries email: sales@omni-id.com