

## Dash-On XS

P/N: X4101-US000-H3 / X4101-EU000-H3



## Functional Specifications

RF air protocol	EPC Class 1 Gen 2; ISO18000-6C
Operating frequency	UHF 902-928 MHz (US); 866-868 MHz (EU)
IC type	Alien Higgs-3
Memory configuration	96-EPC bits; 512-bit user memory
Functionality	Read / write (user programmed)
Memory – expected read / write cycles	100,000 cycles at 77°F (25°C)
Data retention	Up to 50 years <sup>1</sup>
Read rate	400 tags per second for 96-EPC bit number
Warranty (limited)	1 year

## Performance Characteristics

Read range on metal (2W ERP) <sup>2</sup>	Up to 6.6 ft (2 m)
Polarization	Linear

## Physical Specifications

Material	Ceramic
Mounting system	Epoxy
Color	Black

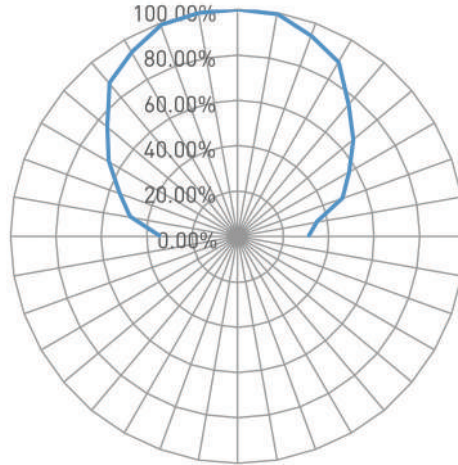
## Environmental and Industry Compliance

FDA Class	Class II
Global Unique Device Identification Database (GUDID)	Support
RoHS	EU Directive 2002/95/EC
ATEX	ATEX Compliant
Autoclavable	Yes

<sup>1</sup> The chip data retention is based on chip operating under general environment conditions.<sup>2</sup> Actual read range may vary based upon use case and antenna power.

**Radiation Pattern**

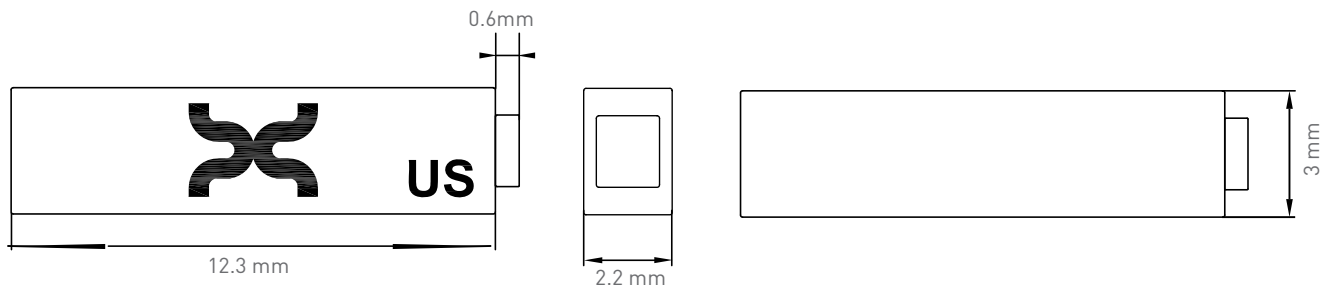
On metal



**Operational and Environmental Specifications**

Operational temperature	
Cold	-40°F (-40°C)
Dry heat	+185°F (+85°C)
Application temperature	
Cold	-40°F (-40°C)
Dry heat	+302°F (+150°C)
Humidity	
Operational humidity	5%-95% non-condensing
Storage humidity	5%-95% non-condensing
Shock (drop)	3 ft (1 m) to concrete/granite up to 200 cycles
IP classification	IP68

**Product Dimensions and Weight**



Dimensions (mm)	12.3 x 3 x 2.2
tolerance	+/- 0.3
Dimensions (in)	0.48 x 0.12 x 0.09
tolerance	+/- 0.012
Weight	0.016 oz (0.44 g)

## Dash-iN XS

P/N: X4201-US000-H3 / X4201-EU000-H3



### Functional Specifications

RF air protocol	EPC Class 1 Gen 2; ISO18000-6C
Operating frequency	UHF 902-928 MHz (US); 866-868 MHz (EU)
IC type	Alien Higgs-3
Memory configuration	96-EPC bits; 512-bit user memory
Functionality	Read / write (user programmed)
Memory – expected read / write cycles	100,000 cycles at 77°F (25°C)
Data retention	Up to 50 years <sup>1</sup>
Read rate	400 tags per second for 96-EPC bit number
Warranty (limited)	1 year

### Performance Characteristics

Read range in metal (2W ERP) <sup>2</sup>	Up to 5 ft (1.5 m)
Polarization	Linear

### Physical Specifications

Material	Ceramic
Mounting system	Epoxy
Color	White

### Environmental and Industry Compliance

FDA Class	Class II
Global Unique Device Identification Database (GUDID)	Support
RoHS	EU Directive 2002/95/EC
ATEX	ATEX Compliant
Autoclavable	Yes

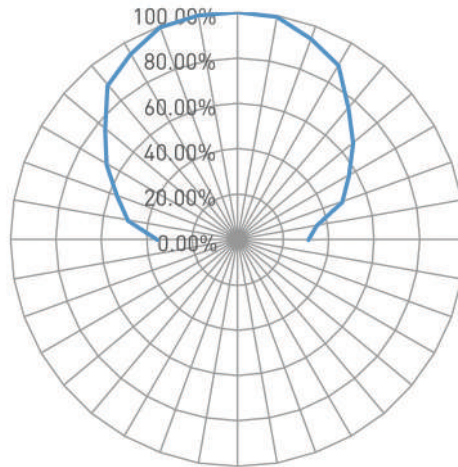


<sup>1</sup> The chip data retention is based on chip operating under general environment conditions.

<sup>2</sup> Actual read range may vary based upon use case and antenna power.

## Radiation Pattern

In metal



## Operational and Environmental Specifications

Operational temperature

Cold	-40°F (-40°C)
Dry heat	+185°F (+85°C)

Application temperature

Cold	-40°F (-40°C)
Dry heat	+302°F (+150°C)

Humidity

Operational humidity	5%-95% non-condensing
Storage humidity	5%-95% non-condensing

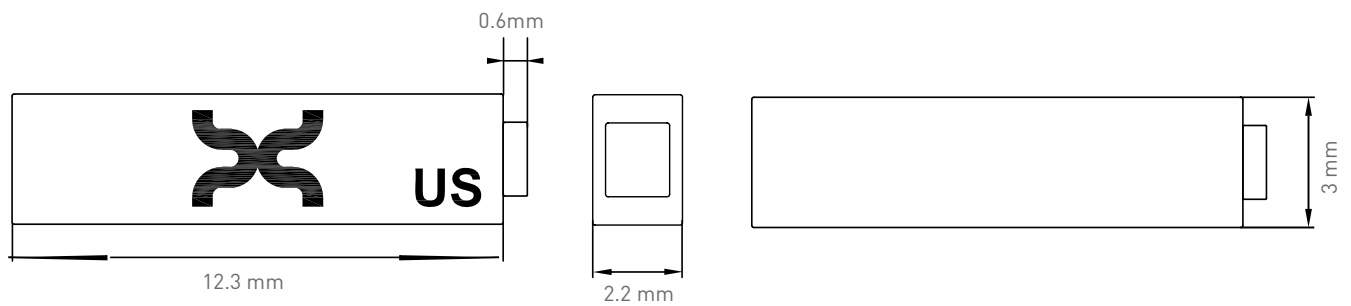
Shock (drop)

3 ft (1 m) to concrete/granite up to 200 cycles

IP classification

IP68

## Product Dimensions and Weight



Dimensions (mm)

12.3 x 3 x 2.2

tolerance

+/- 0.3

Dimensions (in)

0.48 x 0.12 x 0.09

tolerance

+/- 0.012

Weight

0.016 oz (0.44 g)